

**MICO FUSE 250 FUSE HOLDER 5X20MM 8 CHANNELS**

IN: 250V AC/DC OUT: 250V AC/DC / 6A AC/DC

MICO FUSE 250  
8 channels  
Total current: max. 40 A

[Link to Product](#)**Illustration**

Product may differ from Image

**Approvals****General data**

Connection	Spring clamp terminals
Input terminals	1 × 16 mm <sup>2</sup>
Output terminals	1 × 0.5...4 mm <sup>2</sup>
Mounting method	DIN-rail mountable TH35 (EN 60715)
Dimensions H×W×D	90×70×80 mm
Temperature range	-25...+55 °C

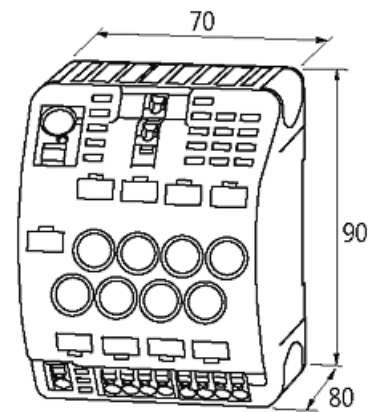
**Technical Data**

Operating voltage	max. 250 V AC/DC
Operating current	max. 6 A (40 °C)
Total current	max. 40 A

**Commercial data**

country of origin	CZ
customs tariff number	85363030
EAN	4048879335270
eClass	27371802
Packaging unit	1

**Sketch**



Product may differ from Image